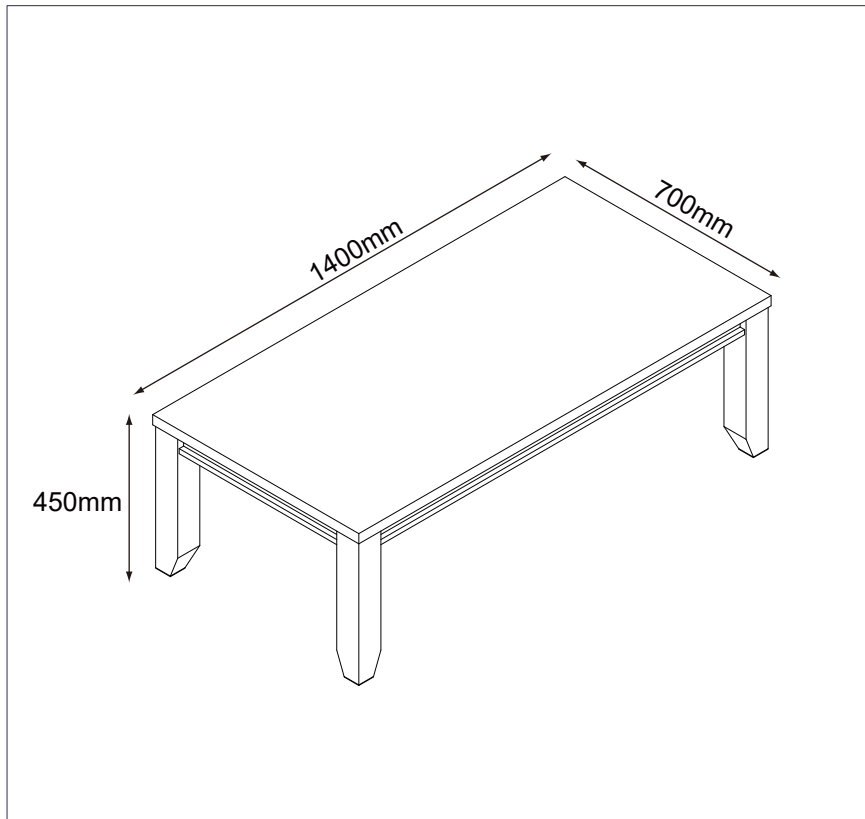




ASSEMBLY INSTRUCTION
CASSEL COFFEE TABLE
ITEM CODE 85574

Imported by Amart Furniture Pty Ltd, Qld, Brisbane Australia.
For any assistance with assembly or for missing parts please phone
Amart Furniture Road, Customer Service Free call 1800 351 084

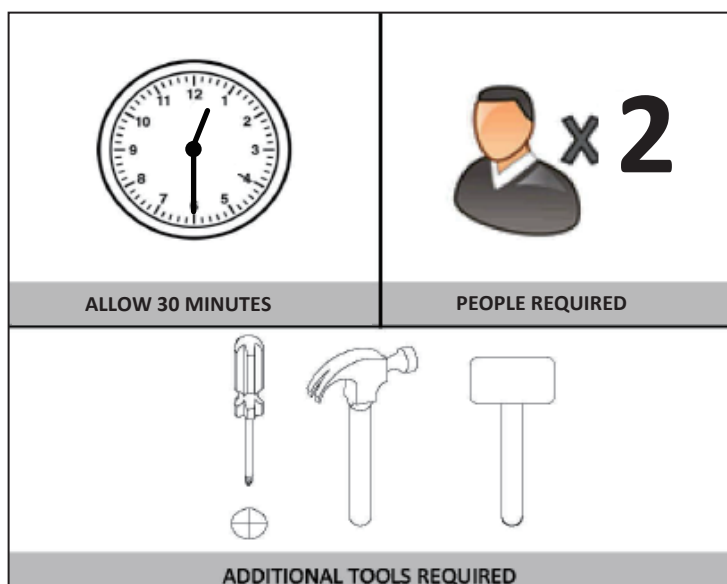


Imported by Amart Furniture Pty Ltd, Qld, Brisbane Australia.
For any assistance with assembly or for missing parts please phone
Amart Furniture Road, Customer Service Free call 1800 351 084

PRE-ASSEMBLY PREPARATION

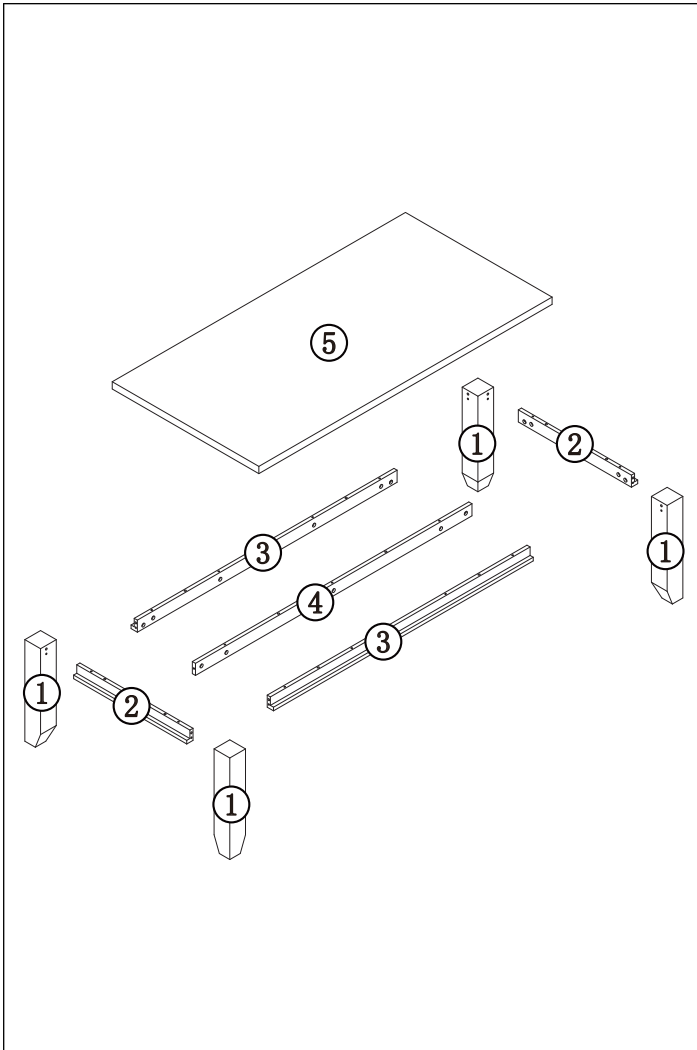
Before you start:






1. Choose a clean, level, spacious assembly area. Avoid hard surfaces that may damage the product.
2. Take care when lifting. Product should be assembled as near as possible to the point of use.
3. Ensure that you have all required contents for complete assembly.
4. Always read the assembly instructions carefully before beginning assembly.
5. Keep all hardware parts and packaging out of reach of small children.
6. Do not over tighten the screws and bolts as this may damage the threads.



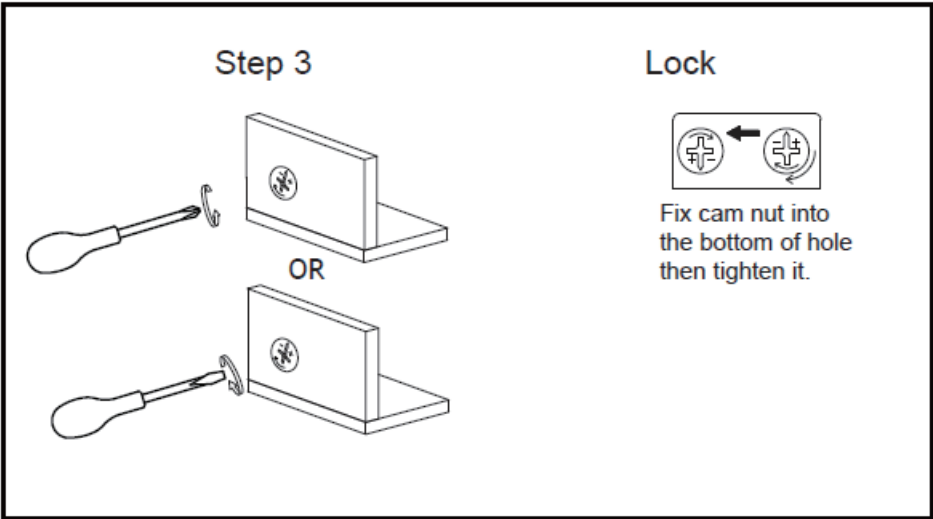
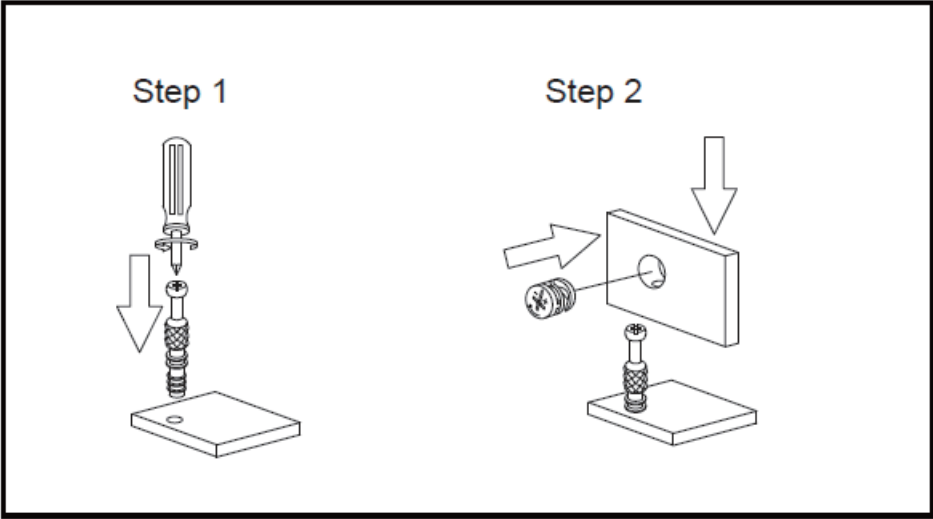
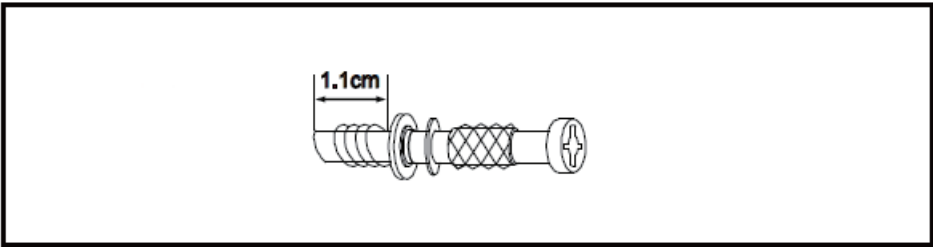
PARTS LIST

1	LEG
2	SUPPORT PANEL
3	SUPPORT PANEL
4	SUPPORT PANEL
5	TOP PANEL

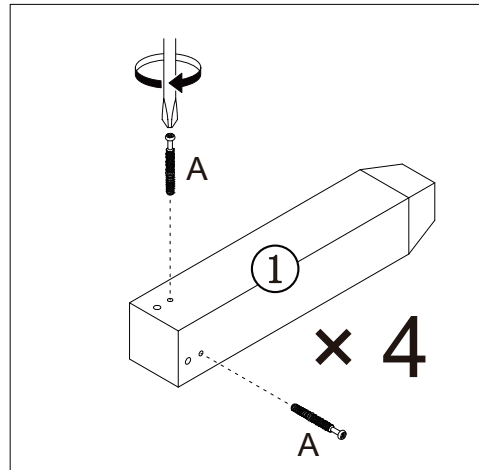
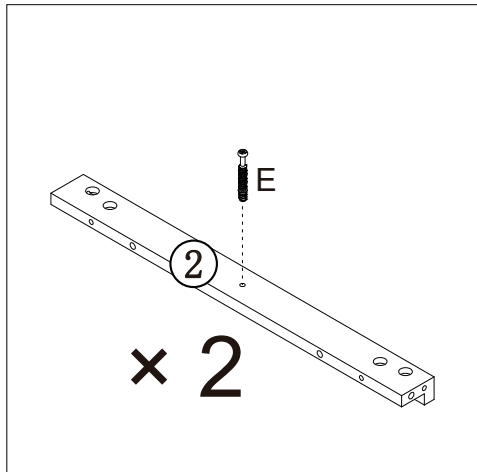


A cam pin <input type="checkbox"/>	B cam lock <input type="checkbox"/>	C dowel <input type="checkbox"/>	D foot pad <input type="checkbox"/>	E cam pin <input type="checkbox"/>
 M7×47mm 23×A	 25×B	 M8×50mm 18×C	 1×D	 M7×39mm 2×F

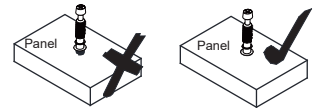
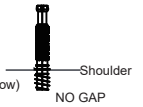
CAM LOCK INSTALLATION



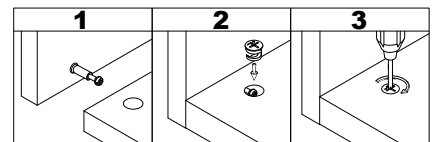
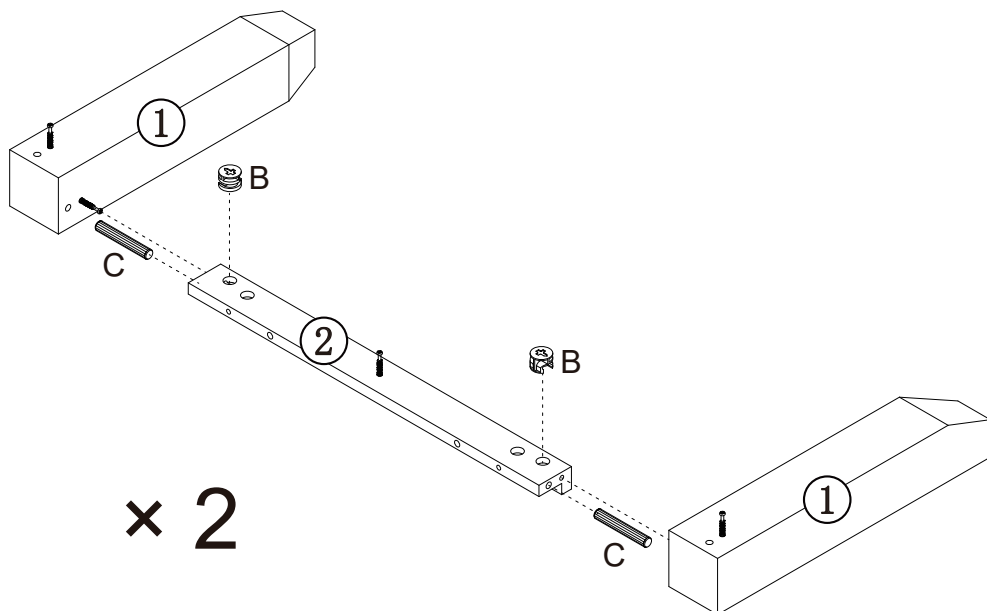
STEP1: Fix cam pin (A) (E) to panel (1&2).



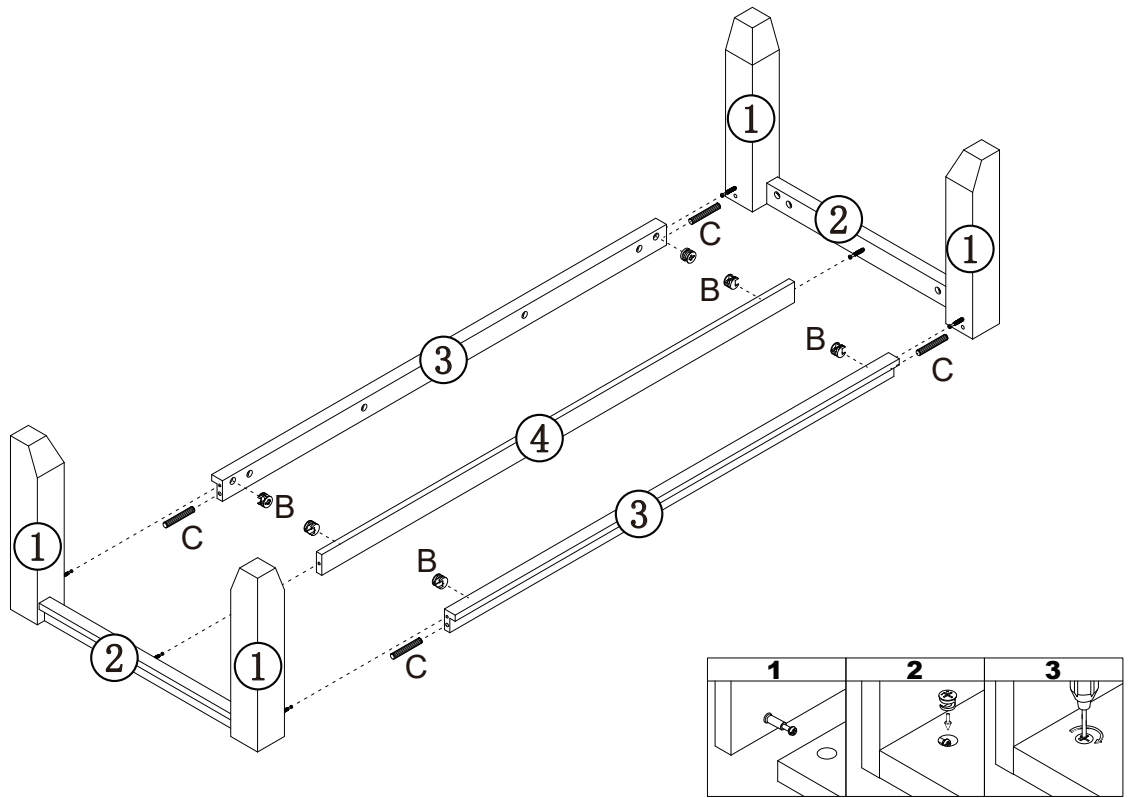
CAM-LOCK
Tighten until shoulder is flush with panel. Do not overtighten or undertighten (see example below)



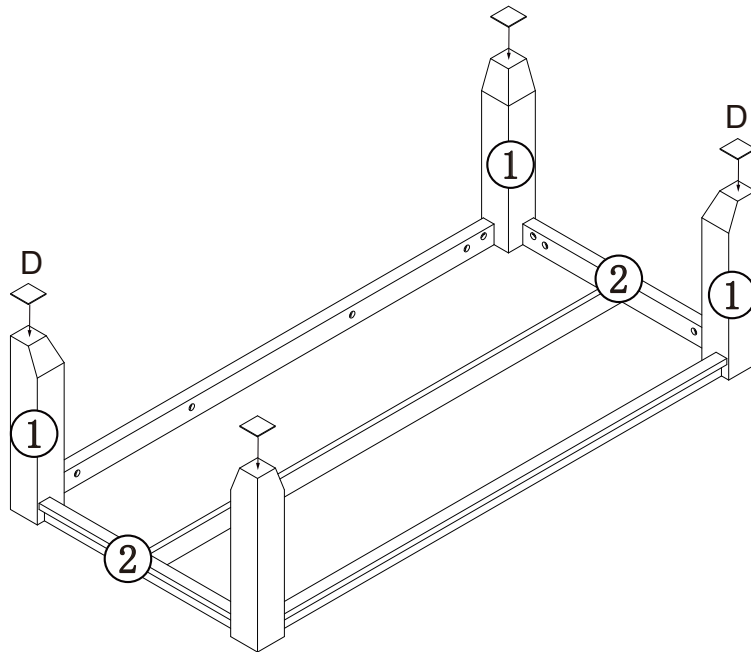
STEP2: Attach panel (2) to panel (1) with cam lock (B).



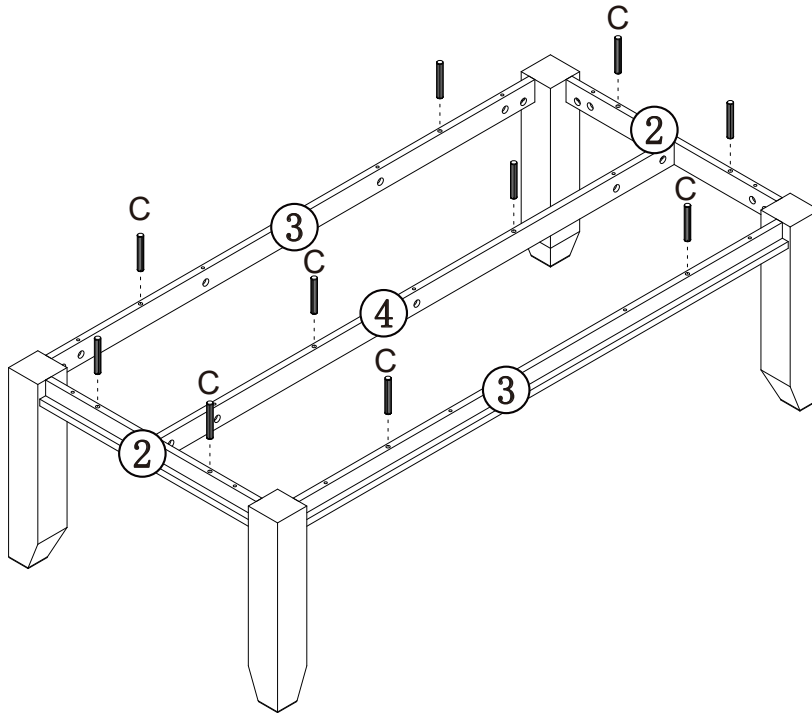
STEP3: Attach panel (3) (4) to panel (1) (2) with cam lock (B).



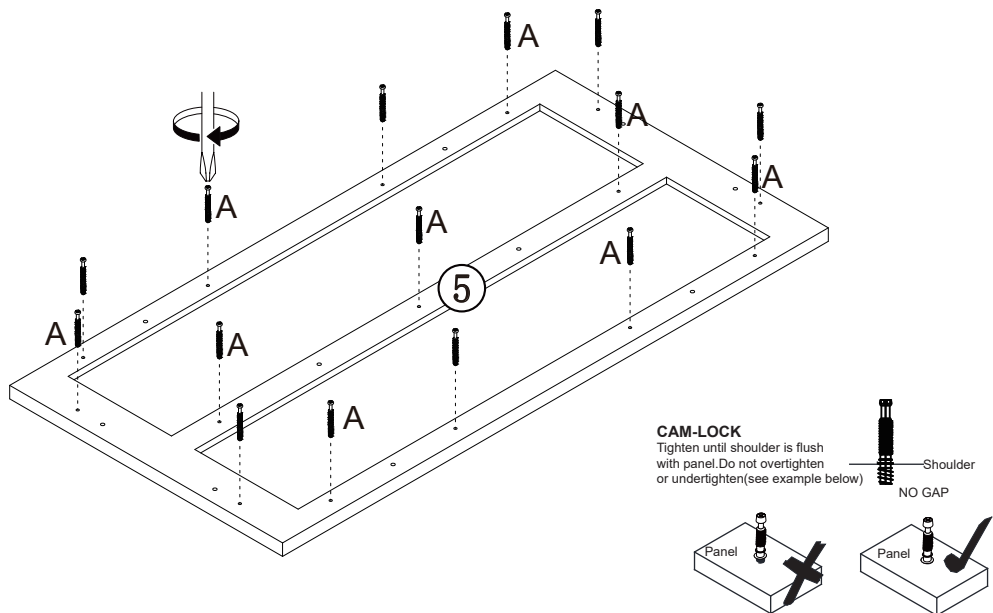
STEP4: Fix foot pad (D) to panel (1).



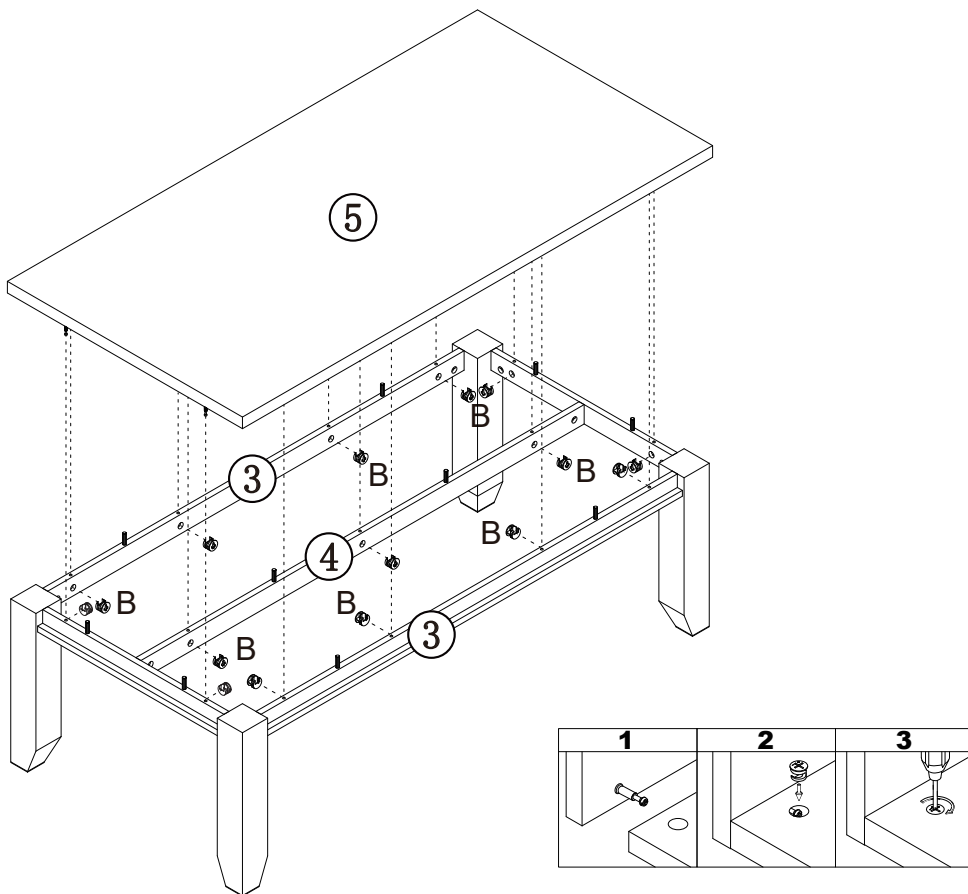
STEP5: Insert dowel (C) to panel (2&3&4).



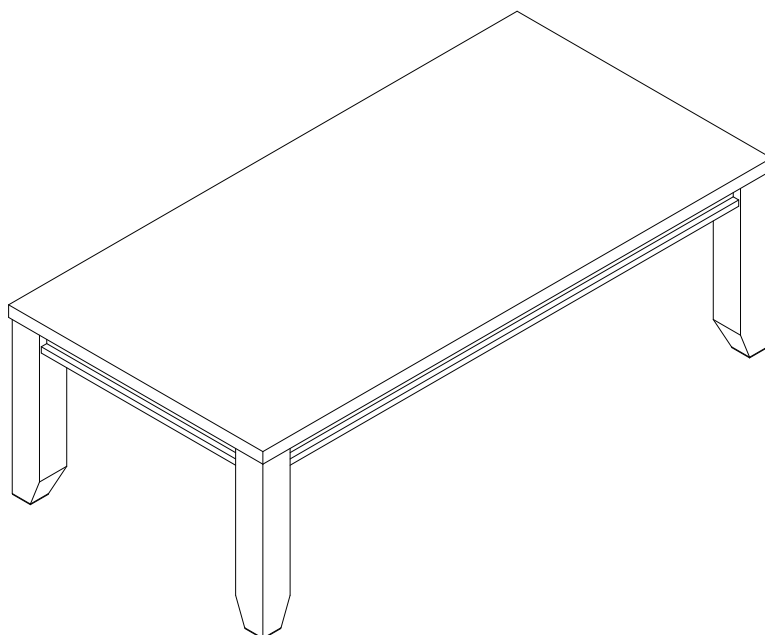
STEP6: Fix cam pin (A) to panel (5).



STEP7: Attach panel (5) to the body with cam lock (B).



ASSEMBLY IS COMPLETE



General Product Care

To protect your furniture, we suggest the following:

- Avoid placing your furniture in direct sunlight.
- Do not place furniture directly under windows.
- Do not place sharp materials (knife, fork, etc.) directly onto your furniture as sharp material may scrape and damage the finish.
- Do not place material with high temperature directly onto the surface of your furniture.
- Clean up spills quickly. Water left over a prolonged period of time may cause damage. Alcohol, perfume, nail polishes, aftershave and some medication may cause severe finish damage if not cleaned immediately.
- Use a clean, soft, dry, lint free absorbent cloth to clean your furniture. Do not use any detergent as they may contain ingredients that may react and damage the finish.